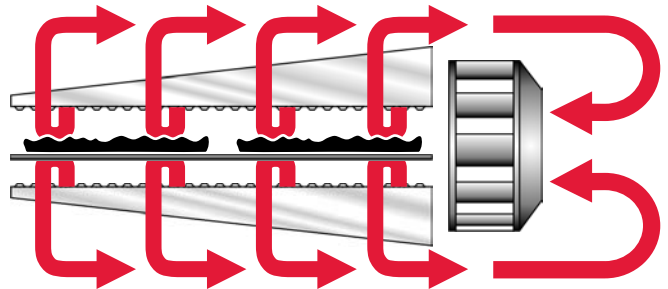




PATENTS PENDING

### Principle

Middleby Marshall PS Series conveyor ovens bake both faster and at a lower temperature than other ovens. Patented vertical columns of hot air move heat aerodynamically instead of using high temperatures. The streams of hot air remove the boundary layers of cool heavy air which tend to insulate the product. This gives very rapid baking without burning the product. All PS640 WOW!™ ovens are designed to cook pizza 30% faster than other conveyor ovens.



### Standard Features

- **Impingement PLUS!** low oven profile and dual air return
- **Patented EMS energy Management System** reduces energy consumption and increases cooking efficiency
- 40-1/2" (1029mm) long cooking chamber
- 25-1/2" (648mm) wide, 76-1/2" (1943mm) long conveyor belt
- Stainless steel lower shelf standard on single oven
- High speed conveyor (Range of 2:00 - 30:00)

### Speed

- Advanced technology air delivery system bakes up to 30% faster than standard conveyor ovens

### Energy Management System

The PS640 WOW!™ oven features an Energy Management System (EMS) that automatically reduces energy consumption. Touch Screen Control can be programmed in one energy saving mode. Automatic "energy eye" saves energy when no pizzas are in the oven

### Optional Features

- Split belt - two 12" (305mm) belts with individually adjustable speed settings
- Stainless steel lower shelf for double oven

### Cleanability

PS640 Ovens are designed for easy cleaning. Removable parts include: crumb pans, end panels, air fingers, and a folding conveyor belt assembly.

### Easily Serviced

Control compartment is designed for quick and easy access.

### Warranty

All PS640 models have a one year parts and labor warranty. Oven start-up and demonstration are included at no additional charge (USA Only)

### Ventilation

For installation under a ventilation hood only.

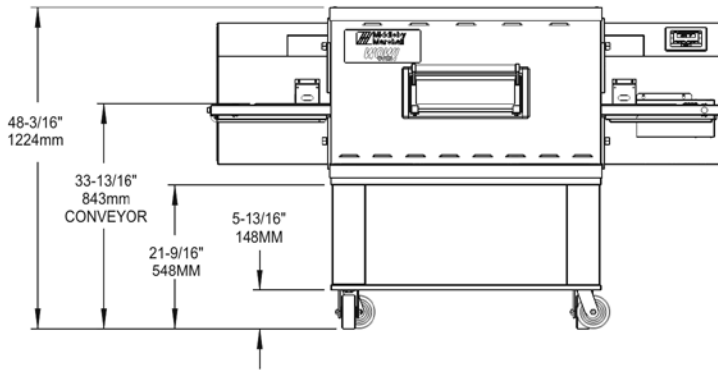
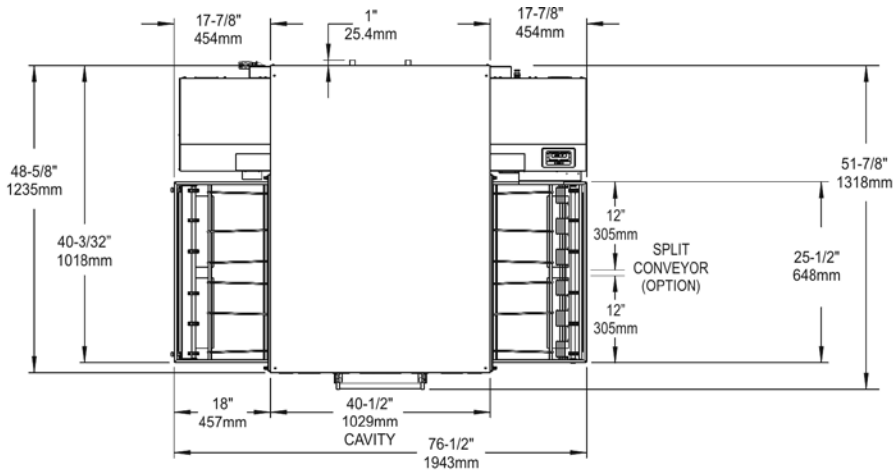
**PS640 Series With 24" Conveyor  
Electrically Heated Conveyor Oven**

NOTE: Drawings show ovens equipped with casters.

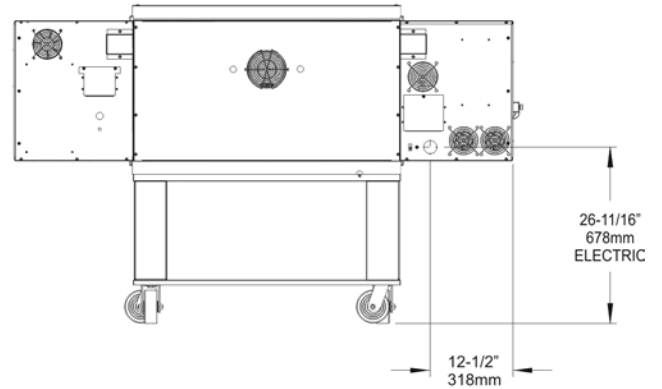
CE-approved units use adjustable feet instead of casters.

**PS640-24-1**

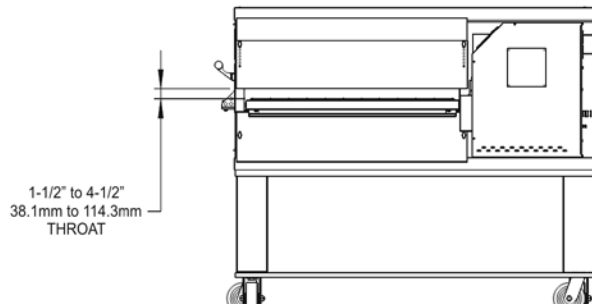
**TOP VIEW**



**FRONT VIEW**



**BACK VIEW**

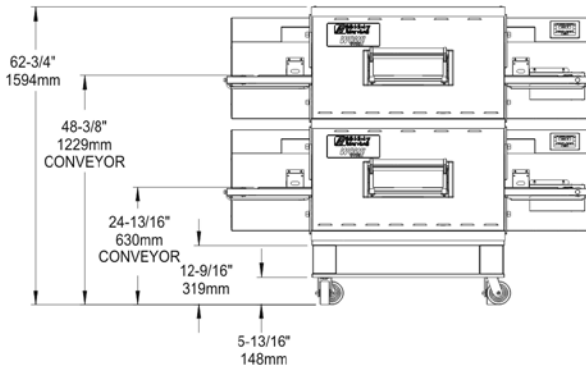


**SIDE VIEW**

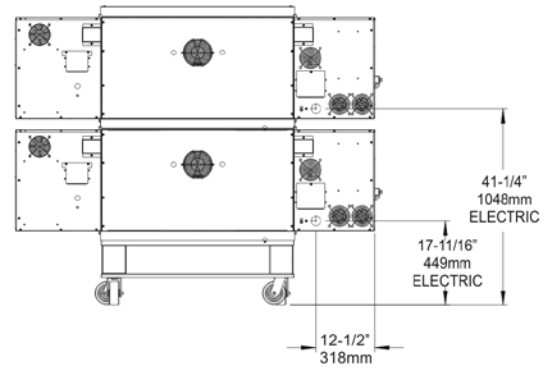
## PS640 Series With 24" Conveyor Electrically Heated Conveyor Oven

NOTE: Drawings show ovens equipped with casters.  
CE-approved units use adjustable feet instead of casters.

### PS640-24-2

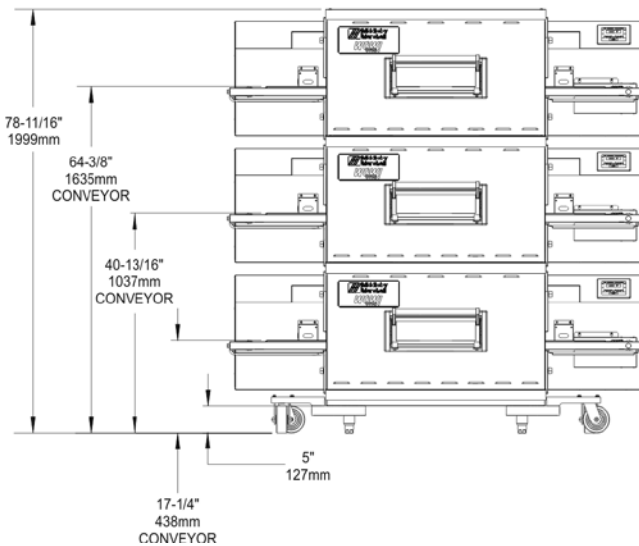


**FRONT VIEW**

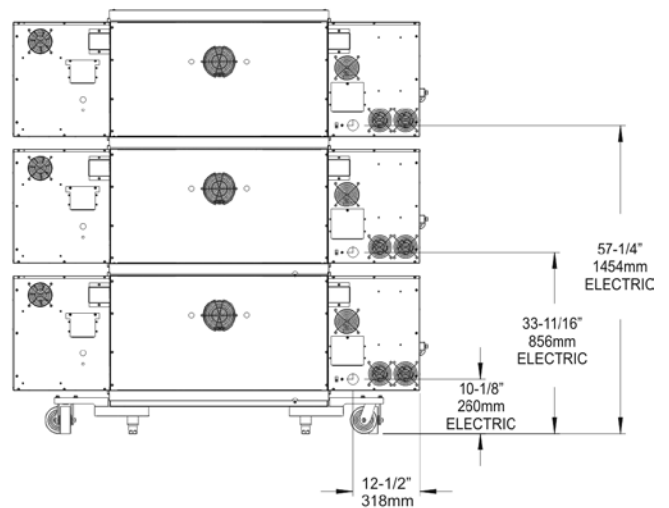


**BACK VIEW**

### PS640-24-3



**FRONT VIEW**



**BACK VIEW**

**RECOMMENDED MINIMUM CLEARANCES**

Rear of Oven to Wall	Control end of conveyor to wall	Non-control end of conveyor to wall
2" (50mm)	0"	0"

**GENERAL SPECIFICATIONS**

	Heating Zone	Baking Area	Belt Length	Belt Width	Length	Height	Depth	Maximum Operating Temp	Bake Time Range	Ship Wt	Ship Cube
PS640-24-1	40-1/2" 1028mm	6.75sq.ft. 0.627m <sup>2</sup>	76-1/2" 1943mm	1x24" (610mm) or 2x12" (305mm)	76-1/2" 1943mm	48-3/16" 1224mm	51-7/8" 1318mm	600°F 315°C	2:00 - 30:00	1100lbs. 499kg	132ft <sup>3</sup> 3.70m <sup>3</sup>
PS640-24-2	81" 2056mm	13.5sq.ft. 1.254m <sup>2</sup>	76-1/2" 1943mm	1x24" (610mm) or 2x12" (305mm)	76-1/2" 1943mm	62-3/4" 1594mm	51-7/8" 1318mm	600°F 315°C	2:00 - 30:00	2200lbs. 999kg	264ft <sup>3</sup> 7.39m <sup>3</sup>
PS640-24-3	121-1/2" 3084mm	20.25sq.ft. 1.881m <sup>2</sup>	76-1/2" 1943mm	1x24" (610mm) or 2x12" (305mm)	76-1/2" 1943mm	78-11/16" 1999mm	51-7/8" 1318mm	600°F 315°C	2:00 - 30:00	3300lbs. 1498kg	396ft <sup>3</sup> 11.09m <sup>3</sup>

**ELECTRICAL SPECIFICATIONS**

Voltage	Phase	Freq	Max Amperage*	Rated Heat Input	Supply	Breakers
208v	3	50/60 Hz	79Amp	27.0 kW	3 pole, 4 wire (3 hot, 1 ground)	As per local codes
240v	3	50/60 Hz	69Amp	27.0 kW	3 pole, 4 wire (3 hot, 1 ground)	As per local codes
380v	3	50/60 Hz	45Amp	27.0 kW	4 pole, 5 wire (3 hot, 1 neut, 1 grnd)	As per local codes
480v	3	50/60 Hz	36Amp	27.0 kW		
380VCE	3	50/60 Hz	45Amp	27.0 kW	4 pole, 5 wire (3 hot, 1 neut, 1 grnd)	As per local codes

\* The current draw rating shown above are maximum values for normal operation, amperage draw will be less than the listed value.

ALL SPECIFICATIONS SUBJECT TO CHANGE WITHOUT NOTICE.