

<b>Project Name:</b> _____	AIA # _____
<b>Location:</b> _____	
<b>Item #:</b> _____ <b>Qty:</b> _____	SIS # _____

**Model: GBF-3GN23**
**HCFCs and CFCs Free**

**GBF-3GN23**
**Standard Features**

Blast Chiller/ Shock Freezer GN2/3

Electronic control - H.A.C.C.P. function as standard - Auto defrost - Gas R404a - Push-fit magnetic door seal - AISI 304 Grade Stainless Steel interior/exterior - Interior rounded corner - Easy-Clean covered interior - Adjustable inox feet - Distance between racks 70mm.

**Optional Accessories**
**Environment**
**Specifications**

Desmon Blast-Chillers are manufactured with enduring ergonomic features to protect your long term investment.

Designed using the highest technologies, quality materials and components to provide the user with colder product temperatures, lower utility costs, exceptional food safety and the best value in today's food service marketplace. Push-fit magnetic door seal.

Poliurethane insulation CFC/HCFC

 AISI304Grade  
 Stainless Steel interior/exterior  
 Interior rounded corner  
 Easy-Clean covered interior  
 Adjustable inox feet  
 Reversible Self closing doors  
 Stainless Steel back as standard

 Electronic control  
 H.A.C.C.P. function as standard

 Auto defrost  
 Gas R404a

Output Chilling (+70°C / +3°C) Kg 7 within 90min.

Output Chilling (70°C / -18°C ) Kg 5 within 270min.

 Ready for : Nr.3 shelves GN2/3 (325x354)  
 Not included

**Warranty**

Two year warranty on parts



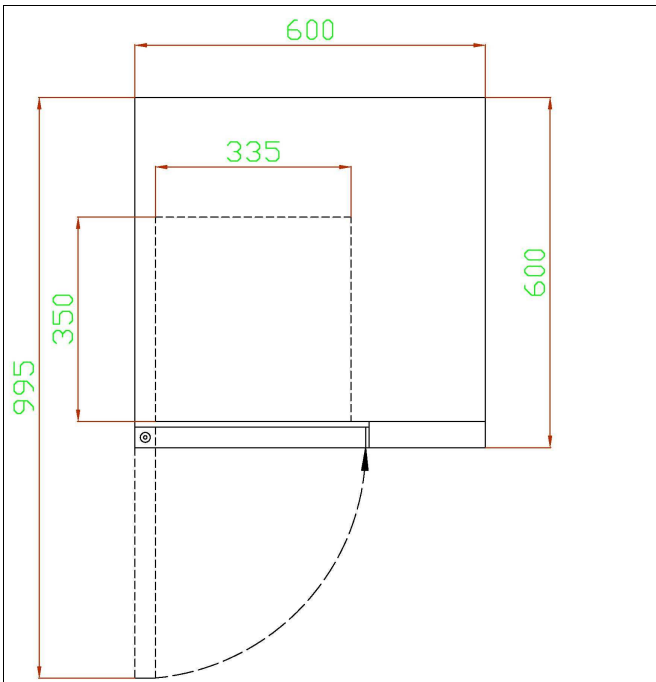
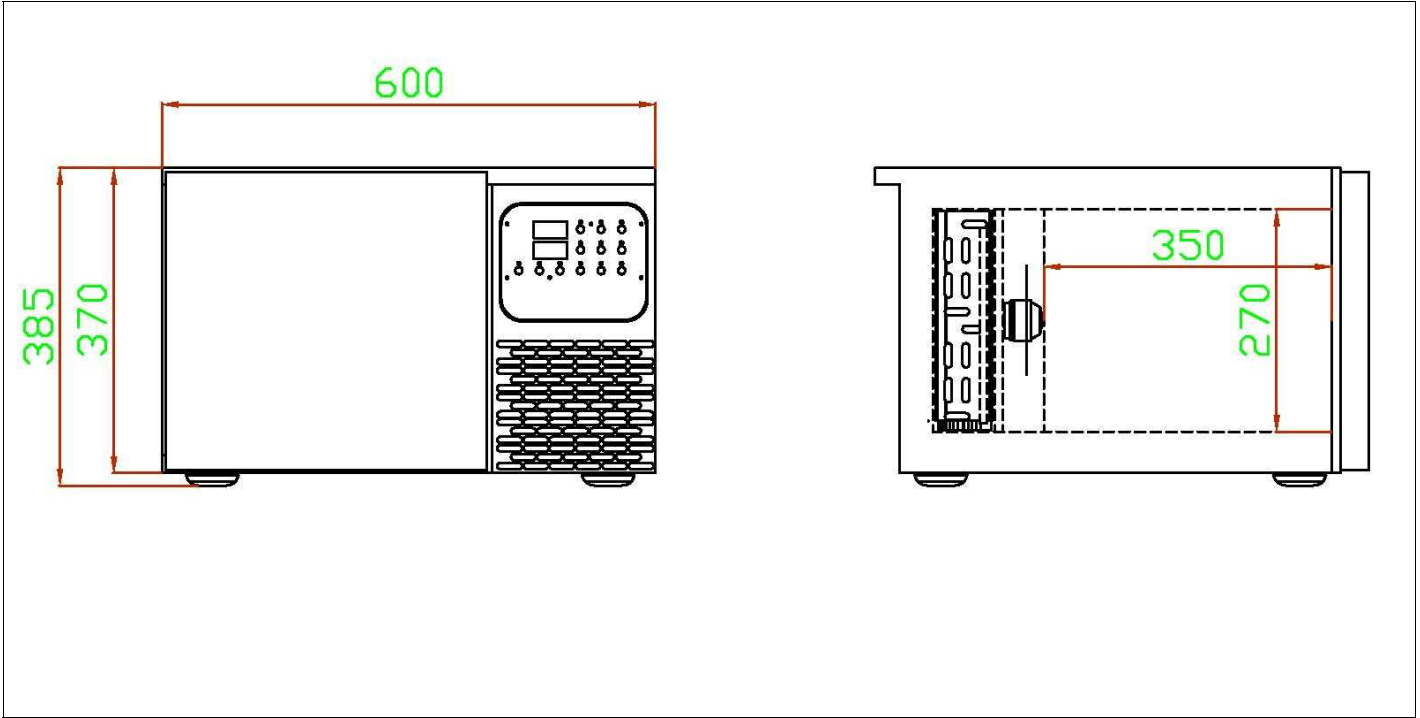
Approvals:

Available at:

<b>Project Name:</b> _____	AIA # _____
<b>Location:</b> _____	SIS # _____
<b>Item #:</b> _____	<b>Qty:</b> _____

**Model: GBF-3GN23** **HCFCs and CFCs Free**

**ARCHITECT CORNER**



<b>Voltage</b>	<b>Abs. Power</b>	<b>Comp. H.P.</b>	<b>Total Max Amps</b>	<b>Ambient Temp.</b>
220V/50Hz/1P	650W			32 °C
<b>Ship Weight</b>	<b>Dimensions</b>		<b>Packing</b>	
50Kg	600x600x400		640x640x550	